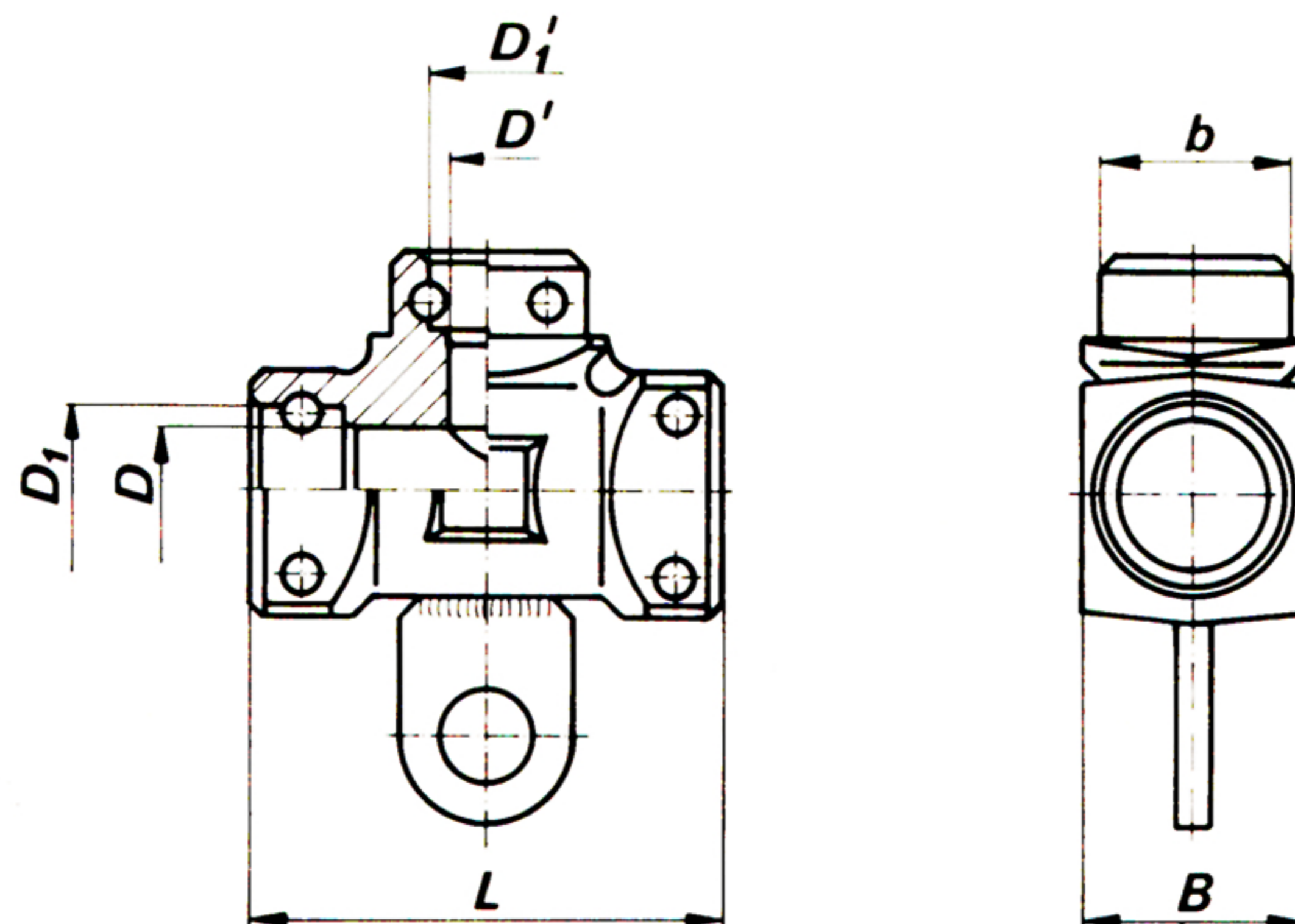


Trójnik gniazdowo-zwężkowy z uchem



DANE TECHNICZNE

| Wyróżnik wielkości | D | D_1 | D' | D'_1 | L | B | b | Ciśnienie robocze MPa | Masa kg | Numer rysunku |
|--------------------|-----|-------|------|--------|-----|-----|-----|-----------------------|---------|---------------|
| | mm | | | | | | | | | |
| 20-10-20 | 24 | 29 | 14 | 20 | 80 | 36 | 30 | 35,0 | 0,625 | S83-5-3BEEu |
| 25-10-25 | 31 | 39 | 14 | 20 | 105 | 50 | 30 | 27,5 | 1,418 | S83-5-3BFFu |
| 32-10-32 | 38 | 46 | 14 | 20 | 110 | 55 | 30 | 20,0 | 1,785 | S83-5-3BGGu |
| 20-12-20 | 24 | 29 | 18 | 24 | 80 | 36 | 35 | 35,0 | 0,635 | S83-5-3CEEu |
| 25-20-25 | 31 | 39 | 24 | 29 | 105 | 50 | 41 | 27,5 | 1,395 | S83-5-3EFFu |
| 32-25-32 | 38 | 46 | 31 | 39 | 110 | 55 | 55 | 20,0 | 1,718 | S83-5-3FGGu |